



Vehicle applications go to:

[www.dekacatalog.com](http://www.dekacatalog.com)



Reviewed: November 11, 2021

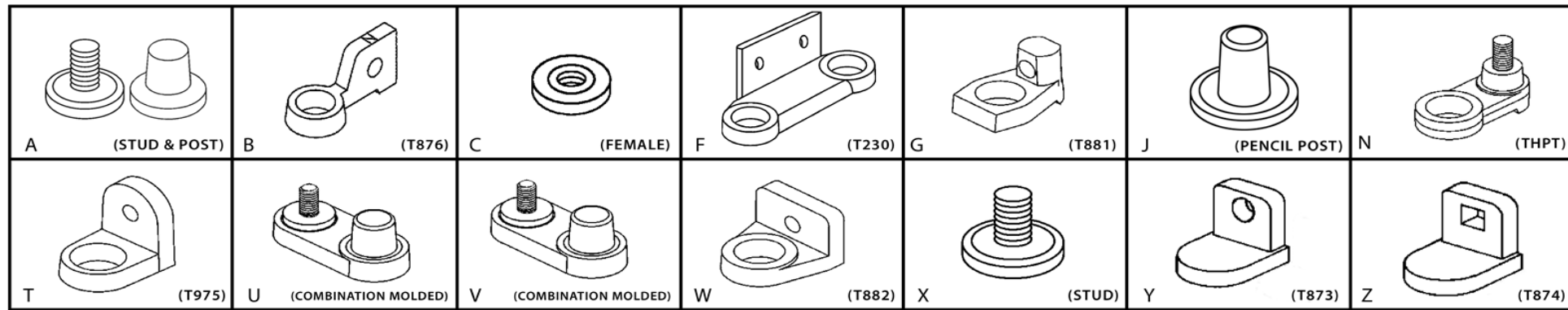
Supersedes all previous information. Subject to change without notice.

| GROUP NO.   | PART NO. | PERFORMANCE LEVEL |      |         |              | WEIGHT<br>(lb) | MAXIMUM OVERALL DIMENSIONS |         |        |         |         |     | Voltage | Core Value     | Pro Power Series Warranty |
|---|----------|-------------------|------|---------|--------------|----------------|----------------------------|---------|--------|---------|---------|-----|---------|----------------|---------------------------|
|   |          | CCA               | R.C. | REF. CA | 20 HR<br>CAP |                | LENGTH                     |         | WIDTH  |         | HEIGHT  |     |         |                |                           |
|   |          |                   |      |         |              |                | WET                        | in      | mm     | in      | mm      | in  |         |                |                           |
| <b>12-VOLT INTIMIDATOR® — AGM — VALVE REGULATED</b>           |          |                   |      |         |              |                |                            |         |        |         |         |     |         |                |                           |
| 75/86   | 9A75DT   | 640               | 100  | 755     | 50           | 41             | 9-9/16                     | 242     | 7-1/16 | 179     | 7-15/16 | 202 | 12      | 1.0            | Series 3                  |
| 34/78   | 9A78DT   | 750               | 120  | 890     | 55           | 43             | 10-3/4                     | 273     | 6-7/8  | 175     | 8       | 203 | 12      | 1.0            | Series 3                  |
| 24F   | 9A24F    | 710               | 110  | 875     | 65           | 44.5           | 11-1/8                     | 282     | 6-5/8  | 168     | 9       | 229 | 12      | 1.0            | Series 3 - DIN            |
| 34  | 9A34     | 750               | 120  | 890     | 55           | 42.5           | 10-3/4                     | 273     | 6-7/8  | 175     | 8       | 203 | 12      | 1.0            | Series 3                  |
| 34R   | 9A34R    | 750               | 120  | 890     | 55           | 42.5           | 10-3/4                     | 273     | 6-7/8  | 175     | 8       | 203 | 12      | 1.0            | Series 3                  |
| 35/85   | 9A35/85  | 640               | 100  | 755     | 50           | 40             | 9-9/16                     | 242     | 6-3/4  | 171     | 7-3/4   | 197 | 12      | 1.0            | Series 3                  |
| 47 (H5/L2)  | 9A47     | 600               | 100  | 690     | 60           | 39             | 9-9/16                     | 242     | 6-7/8  | 175     | 7-1/2   | 190 | 12      | 1.0            | Series 3 - DIN            |
| 48 (H6/L3)  | 9A48     | 760               | 120  | 875     | 70           | 47.5           | 11                         | 278     | 6-7/8  | 175     | 7-1/2   | 190 | 12      | 1.0            | Series 3 - DIN            |
| 49 (H8/L5)  | 9A49     | 850               | 170  | 975     | 92           | 58             | 13-15/16                   | 354     | 6-7/8  | 175     | 7-1/2   | 190 | 12      | 1.0            | Series 3 - DIN            |
| 65  | 9A65     | 750               | 150  | 860     | 75           | 47.5           | 12                         | 305     | 7-3/8  | 187     | 7-5/8   | 194 | 12      | 1.0            | Series 3                  |
| 78  | 9A78     | 750               | 120  | 860     | 55           | 43             | 10-3/4                     | 273     | 6-7/8  | 175     | 7-1/4   | 184 | 12      | 1.0            | Series 3                  |
| 94R (H7/L4)   | 9A94R    | 800               | 140  | 920     | 80           | 52             | 12-7/16                    | 315     | 6-7/8  | 175     | 7-1/2   | 190 | 12      | 1.0            | Series 3 - DIN            |
| 95R (H9/L6)   | 9A95R    | 950               | 190  | 1050    | 105          | 65             | 15-1/2                     | 394     | 6-7/8  | 175     | 7-1/2   | 190 | 12      | 1.5            | Series 3 - DIN            |
| 31  | 9A31     | 925               | 190  | 1050    | 100          | 66.5           | 13                         | 330     | 6-3/4  | 171     | 9-1/2   | 241 | 12      | 1.5            | Deep Cycle                |
| 31P   | 9A31P    | 925               | 190  | 1050    | 100          | 66.5           | 13                         | 330     | 6-3/4  | 171     | 9-1/2   | 241 | 12      | 1.5            | Deep Cycle                |
| 34M   | 9A34M    | 750               | 120  | 860     | 55           | 42.5           | 10-3/4                     | 273     | 6-7/8  | 175     | 8-3/8   | 212 | 12      | 1.0            | Deep Cycle                |
| S46B24R (Prius)   | 9A51P    | 325               | 60   | 390     | 46           | 29.5           | 9-1/4                      | 235     | 5      | 127     | 8-5/8   | 220 | 12      | 1.0            | Series 3                  |
| <b>12-VOLT — AGM — FAHRENHEIT TECHNOLOGY</b>                  |          |                   |      |         |              |                |                            |         |        |         |         |     |         |                |                           |
| 31  | 9F31     | 925               | 190  | 1050    | 100          | 66.5           | 13                         | 330     | 6-3/4  | 171     | 9-1/2   | 241 | 12      | 1.5            | Series 3                  |
| <b>12-VOLT — AGM — AUTOMOTIVE AUXILIARY</b>                   |          |                   |      |         |              |                |                            |         |        |         |         |     |         |                |                           |
| 401   | AUX12    | 180               | —    | —       | 10           | 9.5            | 5-7/8                      | 150     | 3-7/16 | 88      | 5-1/8   | 130 | 12      | 0.0            | Series 1                  |
| 400   | AUX14    | 200               | —    | —       | 12           | 11.5           | 5-7/8                      | 150     | 3-7/16 | 88      | 5-3/4   | 145 | 12      | 0.0            | Series 1                  |
| AUX   | AUX18L   | 300               | —    | —       | 20           | 18             | 8-1/8                      | 206     | 3-9/16 | 91      | 6-3/8   | 163 | 12      | 0.0            | Series 1                  |
| <b>12-VOLT ULTIMATE® ADVANCED GENERATION / A3™ TECHNOLOGY</b> |          |                   |      |         |              |                |                            |         |        |         |         |     |         |                |                           |
| 75/86   | 775DT    | 690               | 95   | 850     | 35           | 9-3/4          | 248                        | 7       | 178    | 8-1/8   | 206     | 12  | 1.0     | Series 3       |                           |
| 34/78   | 778DT    | 800               | 115  | 985     | 42           | 10-3/4         | 273                        | 6-7/8   | 175    | 8       | 203     | 12  | 1.0     | Series 3       |                           |
| 24  | 724MF    | 725               | 120  | 890     | 42.5         | 10-3/4         | 273                        | 6-3/4   | 171    | 9       | 229     | 12  | 1.0     | Series 3       |                           |
| 24F   | 724FMF   | 725               | 120  | 890     | 42.5         | 10-3/4         | 273                        | 6-3/4   | 171    | 9       | 229     | 12  | 1.0     | Series 3       |                           |
| 25  | 725MF    | 625               | 95   | 770     | 37           | 9-3/4          | 248                        | 6-7/8   | 175    | 8-7/8   | 225     | 12  | 1.0     | Series 3       |                           |
| 27  | 727MF    | 840               | 140  | 1035    | 49.5         | 12-5/8         | 321                        | 6-3/4   | 171    | 9       | 229     | 12  | 1.0     | Series 3       |                           |
| 27F   | 727FMF   | 840               | 140  | 1035    | 49.5         | 12-5/8         | 321                        | 6-3/4   | 171    | 9       | 229     | 12  | 1.0     | Series 3       |                           |
| 34  | 734MF    | 800               | 115  | 985     | 41           | 10-3/4         | 273                        | 6-7/8   | 175    | 8       | 203     | 12  | 1.0     | Series 3       |                           |
| 34R   | 734RMF   | 800               | 115  | 985     | 41           | 10-3/4         | 273                        | 6-7/8   | 175    | 8       | 203     | 12  | 1.0     | Series 3       |                           |
| 35  | 735MF    | 640               | 95   | 785     | 37           | 9-9/16         | 247                        | 6-7/8   | 175    | 8-7/8   | 225     | 12  | 1.0     | Series 3       |                           |
| 48 (H6/L3)  | 748MF    | 730               | 120  | 900     | 42           | 11             | 278                        | 6-7/8   | 175    | 7-1/2   | 190     | 12  | 1.0     | Series 3 - DIN |                           |
| 65  | 765MF    | 750               | 140  | 925     | 42.5         | 12             | 305                        | 7-3/8   | 187    | 7-5/8   | 194     | 12  | 1.0     | Series 3       |                           |
| 75  | 775MF    | 690               | 95   | 850     | 34.5         | 9-3/4          | 248                        | 7       | 178    | 7-1/4   | 184     | 12  | 1.0     | Series 3       |                           |
| 78  | 778MF    | 800               | 115  | 985     | 41           | 10-3/4         | 273                        | 6-7/8   | 175    | 7-1/4   | 184     | 12  | 1.0     | Series 3       |                           |
| 79  | 779MF    | 840               | 140  | 1035    | 43           | 12-1/16        | 307                        | 7-1/16  | 179    | 7-3/8   | 188     | 12  | 1.0     | Series 3       |                           |
| 86  | 786MF    | 690               | 95   | 850     | 35           | 9              | 229                        | 6-7/8   | 175    | 8-1/8   | 206     | 12  | 1.0     | Series 3       |                           |
| <b>12-VOLT GOLD / A3™ TECHNOLOGY</b>                          |          |                   |      |         |              |                |                            |         |        |         |         |     |         |                |                           |
| 75/86   | 675DT    | 650               | 90   | 800     | 35           | 9-3/4          | 248                        | 7       | 178    | 8-1/8   | 206     | 12  | 1.0     | Series 2       |                           |
| 34/78   | 678DT    | 690               | 110  | 850     | 38           | 10-3/4         | 273                        | 6-7/8   | 175    | 8       | 203     | 12  | 1.0     | Series 2       |                           |
| 24  | 624MF    | 650               | 115  | 800     | 40           | 10-3/4         | 273                        | 6-3/4   | 171    | 9       | 229     | 12  | 1.0     | Series 2       |                           |
| 24F   | 624FMF   | 650               | 115  | 800     | 40           | 10-3/4         | 273                        | 6-3/4   | 171    | 9       | 229     | 12  | 1.0     | Series 2       |                           |
| 27  | 627MF    | 710               | 120  | 875     | 48.5         | 12             | 305                        | 6-3/4   | 171    | 9       | 229     | 12  | 1.0     | Series 2       |                           |
| 27F   | 627FMF   | 710               | 120  | 875     | 48.5         | 12-3/8         | 314                        | 6-3/4   | 171    | 9       | 229     | 12  | 1.0     | Series 2       |                           |
| 34  | 634MF    | 690               | 110  | 850     | 38           | 10-3/4         | 273                        | 6-7/8   | 175    | 8       | 203     | 12  | 1.0     | Series 2       |                           |
| 34R   | 634RMF   | 690               | 110  | 850     | 38           | 10-3/4         | 273                        | 6-7/8   | 175    | 8       | 203     | 12  | 1.0     | Series 2       |                           |
| 36R   | 636RMF   | 650               | 120  | 800     | 41.5         | 10-1/4         | 260                        | 7-1/4   | 184    | 8       | 203     | 12  | 1.0     | Series 2       |                           |
| 40R (T6/LB3)  | 640RMF   | 650               | 105  | 800     | 38           | 11             | 278                        | 6-7/8   | 175    | 6-7/8   | 175     | 12  | 1.0     | Series 3 - DIN |                           |
| 41 (T65)  | 641MF    | 650               | 100  | 800     | 40           | 11-9/16        | 293                        | 6-7/8   | 175    | 6-7/8   | 175     | 12  | 1.0     | Series 3 - DIN |                           |
| 42/58R  | 642/58R  | 580               | 85   | 715     | 32.5         | 10             | 254                        | 7-1/4   | 184    | 6-7/8   | 175     | 12  | 1.0     | Series 2       |                           |
| 47 (H5/L2)  | 647MF    | 650               | 100  | 800     | 36           | 9-9/16         | 242                        | 6-7/8   | 175    | 7-1/2   | 190     | 12  | 1.0     | Series 3 - DIN |                           |
| 48 (H6/L3)  | 648MF    | 680               | 120  | 835     | 41           | 11             | 278                        | 6-7/8   | 175    | 7-1/2   | 190     | 12  | 1.0     | Series 3 - DIN |                           |
| 48R (H6R)   | 648RMF   | 680               | 120  | 835     | 42.5         | 11             | 278                        | 6-7/8   | 175    | 7-1/2   | 190     | 12  | 1.0     | Series 3 - DIN |                           |
| 49 (H8/L5)  | 649MF    | 900               | 185  | 1105    | 52.5         | 13-15/16       | 354                        | 6-7/8   | 175    | 7-1/2   | 190     | 12  | 1.0     | Series 3 - DIN |                           |
| 50  | 650MF    | 600               | 108  | 740     | 43           | 13-3/8         | 340                        | 5-3/8   | 136    | 8-7/8   | 225     | 12  | 1.0     | Series 2       |                           |
| 51  | 651MF    | 500               | 75   | 615     | 30           | 9-3/8          | 238                        | 5       | 127    | 8-3/4   | 222     | 12  | 1.0     | Series 2       |                           |
| 51R   | 651RMF   | 500               | 75   | 615     | 30           | 9-3/8          | 238                        | 5       | 127    | 8-3/4   | 222     | 12  | 1.0     | Series 2       |                           |
| 55  | 655MF    | 540               | 75   | 665     | 32.5         | 8-3/4          | 222                        | 6       | 152    | 8-1/2   | 216     | 12  | 1.0     | Series 2       |                           |
| 58  | 658MF    | 580               | 85   | 715     | 33.5         | 10             | 254                        | 7-1/4   | 184    | 6-7/8   | 178     | 12  | 1.0     | Series 2       |                           |
| 58R   | 658RMF   | 580               | 85   | 715     | 33.5         | 10             | 254                        | 7-1/4   | 184    | 6-7/8   | 175     | 12  | 1.0     | Series 2       |                           |
| 59  | 659MF    | 590               | 100  | 725     | 38           | 9-1/2          | 241                        | 7-7/16  | 189    | 7-1/2   | 190     | 12  | 1.0     | Series 2       |                           |
| 64  | 664MF    | 620               | 100  | 765     | 41.5         | 11-3/4         | 298                        | 6-1/4   | 159    | 8-7/8   | 225     | 12  | 1.0     | Series 2       |                           |
| 65  | 665MF    | 850               | 150  | 1045    | 46.5         | 12             | 305                        | 7-3/8   | 187    | 7-5/8   | 194     | 12  | 1.0     | Series 2       |                           |
| 67R   | 667RMF   | 390               | 65   | 480     | 25           | 8-1/4          | 210                        | 6-7/8   | 175    | 6-7/8   | 175     | 12  | 1.0     | Series 2       |                           |
| 75  | 675MF    | 650               | 90   | 800     | 34.5         | 9-3/4          | 248                        | 7       | 178    | 7-1/4   | 184     | 12  | 1.0     | Series 2       |                           |
| 78  | 678MF    | 690               | 110  | 850     | 37.5         | 10-3/4         | 273                        | 6-7/8   | 175    | 7-1/4   | 184     | 12  | 1.0     | Series 2       |                           |
| 85  | 685MF    | 650               | 110  | 800     | 35           | 9              | 229                        | 6-7/8   | 175    | 8-1/8   | 206     | 12  | 1.0     | Series 2       |                           |
| 90 (T5/LB2)   | 690MF    | 600               | 90   | 740     | 34           | 9-9/16         | 242                        | 6-7/8   | 175    | 6-7/8   | 175     | 12  | 1.0     | Series 3 - DIN |                           |
| 91 (T6/LB3)   | 691MF    | 700               | 100  | 860     | 39           | 11             | 278                        | 6-7/8   | 175    | 6-7/8   | 175     | 12  | 1.0     | Series 3 - DIN |                           |
| 94R (H7/L4)   | 694RMF   | 790               | 140  | 970     | 46.5         | 12-7/16        | 315                        | 6-7/8   | 175    | 7-1/2   | 190     | 12  | 1.0     | Series 3 - DIN |                           |
| 95R (H9/L6)   | 695RMF   | 850               | 190  | 1045    | 61.5         | 15-1/2         | 394                        | 6-7/8   | 175    | 7-1/2   | 190     | 12  | 1.5     | Series 3 - DIN |                           |
| 96R   | 696RMF   | 600               | 90   | 740     | 34           | 9-9/16         | 242                        | 6-7/8   | 175    | 6-7/8   | 175     | 12  | 1.0     | Series 3 - DIN |                           |
| 97R (H5/L2)   | 697RMF   | 600               | 95   | 740     | 37           | 9-9/16         | 242                        | 6-7/8   | 175    | 7-1/2   | 190     | 12  | 1.0     | Series 3 - DIN |                           |
| 101   | 6101MF   | 650               | 110  | 800     | 36           | 10-1/4         | 260                        | 7-1/16  | 179    | 6-11/16 | 170     | 12  | 1.0     | Series 2       |                           |
| 121R  | 6121RMF  | 550               | 80   | 675     | 31.5         | 8-1/4          | 210                        | 6-15/16 | 177    | 8-1/8   | 206     | 12  | 1.0     | Series 2       |                           |
| 124   | 6124MF   | 700               | 100  | 860     | 38           | 10-1/4         | 260                        | 6-7/8   | 175    | 8-3/8   | 212     | 12  | 1.0     | Series 2       |                           |
| 124R  | 6124RMF  | 700               | 100  | 860     | 38           | 10-1/4         | 260                        | 6-7/8   | 175    | 8-3/8   | 212     | 12  | 1.0     | Series 2       |                           |

| GROUP NO.  | PART NO. | PERFORMANCE LEVEL |      |         | WEIGHT<br>(lb) | MAXIMUM OVERALL DIMENSIONS |       |       |     |        |     | Voltage | Core<br>Value | Pro Power Series<br>Warranty |
|--|----------|-------------------|------|---------|----------------|----------------------------|-------|-------|-----|--------|-----|---------|---------------|------------------------------|
|  |          | CCA               | R.C. | REF. CA |                | LENGTH                     |       | WIDTH |     | HEIGHT |     |         |               |                              |
|  |          |                   |      |         |                | WET                        | in    | mm    | in  | mm     | in  |         |               |                              |
| <b>12-VOLT PREMIUM / A3™ TECHNOLOGY</b>  |          |                   |      |         |                |                            |       |       |     |        |     |         |               |                              |
| 75/86  | 575DT    | 540               | 85   | 665     | 33             | 9-3/4                      | 248   | 7     | 178 | 8-1/8  | 206 | 12      | 1.0           | Series 1                     |
| 34/78  | 578DT    | 600               | 90   | 740     | 35             | 10-3/4                     | 273   | 6-7/8 | 175 | 8      | 203 | 12      | 1.0           | Series 1                     |
| 24   | 524MF    | 550               | 90   | 675     | 37             | 10-3/4                     | 273   | 6-3/4 | 171 | 9      | 229 | 12      | 1.0           | Series 1                     |
|  | 424MF    | 460               | 70   | 565     | 36             |                            |       |       |     |        |     | 12      | 1.0           | Series 1                     |
| 24F  | 524FMF   | 550               | 90   | 675     | 37             | 10-3/4                     | 273   | 6-3/4 | 171 | 9      | 229 | 12      | 1.0           | Series 1                     |
|  | 424FMF   | 460               | 70   | 565     | 36             |                            |       |       |     |        |     | 12      | 1.0           | Series 1                     |
| 25   | 525MF    | 550               | 90   | 675     | 34             | 9-3/4                      | 248   | 6-7/8 | 175 | 8-7/8  | 225 | 12      | 1.0           | Series 1                     |
| 26   | 526MF    | 540               | 80   | 665     | 30             | 8-3/4                      | 222   | 6-3/4 | 171 | 8      | 203 | 12      | 1.0           | Series 1                     |
|  | 426MF    | 450               | 55   | 555     | 27.5           |                            |       |       |     |        |     | 12      | 0.5           | Series 1                     |
| 26R  | 526RMF   | 540               | 80   | 665     | 30             | 8-3/4                      | 222   | 6-3/4 | 171 | 8      | 203 | 12      | 1.0           | Series 1                     |
|  | 426RMF   | 450               | 55   | 555     | 27.5           |                            |       |       |     |        |     | 12      | 0.5           | Series 1                     |
| 34   | 534MF    | 600               | 90   | 740     | 35             | 10-3/4                     | 273   | 6-7/8 | 175 | 8      | 203 | 12      | 1.0           | Series 1                     |
| 35   | 535MF    | 550               | 90   | 675     | 34             | 9-9/16                     | 247   | 6-7/8 | 175 | 8-7/8  | 225 | 12      | 1.0           | Series 1                     |
| 45   | 545MF    | 485               | 65   | 595     | 31             | 9-3/8                      | 238   | 5-1/2 | 140 | 9      | 229 | 12      | 1.0           | Series 1                     |
| 51   | 551MF    | 450               | 70   | 555     | 28.5           | 9-3/8                      | 238   | 5     | 127 | 8-3/4  | 222 | 12      | 1.0           | Series 1                     |
| 51R  | 551RMF   | 450               | 70   | 555     | 28.5           | 9-3/8                      | 238   | 5     | 127 | 8-3/4  | 222 | 12      | 1.0           | Series 1                     |
| 65   | 565MF    | 675               | 130  | 830     | 42.5           | 12                         | 305   | 7-3/8 | 187 | 7-5/8  | 194 | 12      | 1.0           | Series 1                     |
| 70   | 570MF    | 540               | 80   | 665     | 30             | 8-3/4                      | 222   | 7     | 178 | 7-1/8  | 181 | 12      | 1.0           | Series 1                     |
| 75   | 575MF    | 540               | 85   | 665     | 33             | 9-3/4                      | 248   | 7     | 178 | 7-1/4  | 184 | 12      | 1.0           | Series 1                     |
| 86   | 586MF    | 540               | 85   | 665     | 35             | 9                          | 229   | 6-7/8 | 175 | 8-1/8  | 206 | 12      | 1.0           | Series 1                     |
| 99R (T4)   | 599RMF   | 450               | 68   | 555     | 26.5           | 8-1/4                      | 210   | 6-7/8 | 175 | 6-7/8  | 175 | 12      | 1.0           | Series 1                     |
| 140R (H4/LN1)  | 5140RMF  | 445               | 76   | 545     | 28             | 8-1/4                      | 210   | 6-7/8 | 175 | 7-1/2  | 190 | 12      | 1.0           | Series 1                     |
| 151R   | 5151RXMF | 340               | 55   | 410     | 22.5           | 7-3/4                      | 197   | 5-1/8 | 129 | 8-7/8  | 226 | 12      | 1.0           | Series 1                     |
| 46A24L (Miata)   | 8AMU1R   | 320               | 45   | 400     | 24             | 7-3/4                      | 197   | 5-1/8 | 130 | 7-1/8  | 181 | 12      | 0.5           | Series 3                     |
| <b>12-VOLT VALUE LINE MAINTENANCE-FREE</b>   |          |                   |      |         |                |                            |       |       |     |        |     |         |               |                              |
| 75/86  | VL75DT   | 475               | 60   | 585     | 34.5           | 9-3/4                      | 248   | 7     | 178 | 8-1/8  | 206 | 12      | 1.0           | Series 1                     |
| 58   | VL58     | 440               | 70   | 540     | 29             | 10                         | 254   | 7-1/4 | 184 | 7      | 178 | 12      | 1.0           | Series 1                     |
| 65   | VL65     | 650               | 120  | 800     | 41.5           | 12                         | 305   | 7-3/8 | 187 | 7-5/8  | 194 | 12      | 1.0           | Series 1                     |
| 31   | VL31X    | 925               | 170  | 1135    | 55             | 13                         | 330   | 6-3/4 | 171 | 9-1/2  | 241 | 12      | 1.5           | Commercial                   |
|  | VL31     | 650               | 130  | 800     | 52             |                            |       |       |     |        |     |         |               |                              |
| 31P  | VL31PX   | 925               | 170  | 1135    | 55             | 13                         | 330   | 6-3/4 | 171 | 9-1/2  | 241 | 12      | 1.5           | Commercial                   |
|  | VL31P    | 650               | 130  | 800     | 52             |                            |       |       |     |        |     |         |               |                              |
| <b>12-VOLT VINTAGE VEHICLES &amp; LIGHT COMMERCIAL</b>                             |          |                   |      |         |                |                            |       |       |     |        |     |         |               |                              |
| 3EE  | 403E     | 400               | 95   | 490     | 42             | 19-1/4                     | 489   | 4-1/4 | 108 | 9      | 229 | 12      | 1.0           | Commercial                   |
| 29NF   | 429NF    | 420               | 77   | 520     | 38.5           | 13                         | 330   | 5-1/2 | 140 | 9      | 229 | 12      | 1.0           | Commercial                   |
| <b>8-VOLT COMMERCIAL SERVICE</b>   |          |                   |      |         |                |                            |       |       |     |        |     |         |               |                              |
| 1  | 801      | 520               | 102  | 640     | 32             | 8-7/8                      | 225   | 6-3/4 | 171 | 8-7/8  | 225 | 8       | 1.0           | Commercial                   |
| <b>6-VOLT HEAVY-DUTY COMMERCIAL SERVICE</b>  |          |                   |      |         |                |                            |       |       |     |        |     |         |               |                              |
| 1  | 901MF    | 640               | 130  | 785     | 33             | 9                          | 229   | 6-7/8 | 175 | 8-3/4  | 222 | 6       | 1.0           | Commercial                   |
| 2  | 902      | 675               | 185  | 830     | 37             | 10-3/8                     | 264   | 6-7/8 | 175 | 8-3/4  | 222 | 6       | 1.0           | Commercial                   |
| 3EH  | 93EH     | 875               | 250  | 1075    | 47             | 19-1/4                     | 489   | 4-1/4 | 108 | 10     | 254 | 6       | 1.0           | Commercial                   |
| 4  | 904MF    | 975               | 250  | 1200    | 48             | 12-1/2                     | 318   | 6-7/8 | 175 | 9-1/2  | 241 | 6       | 1.5           | Commercial                   |
| 5D   | 905D     | 880               | 250  | 1080    | 54.5           | 13-3/8                     | 340   | 7-1/8 | 181 | 9-1/4  | 235 | 6       | 1.5           | Commercial                   |
| <b>12-VOLT HEAVY-DUTY COMMERCIAL SERVICE</b>                                       |          |                   |      |         |                |                            |       |       |     |        |     |         |               |                              |
| 3ET  | 93ET     | 500               | 120  | 615     | 49.5           | 19-1/4                     | 489   | 4-1/4 | 108 | 9-7/8  | 251 | 12      | 1.0           | Commercial                   |
| 4D   | 904D     | 1050              | 290  | 1290    | 97             | 20-1/2                     | 520.7 | 8-5/8 | 219 | 9-7/8  | 251 | 12      | 3.0           | Commercial                   |
| 4DLT   | 94DLT    | 850               | 240  | 1045    | 78.5           | 20                         | 508   | 8-1/8 | 206 | 8-1/8  | 206 | 12      | 2.0           | Commercial                   |
| 8D   | 908DFT   | 1425              | 440  | 1755    | 127            | 20-3/4                     | 527   | 11    | 279 | 10     | 254 | 12      | 4.0           | Commercial                   |
|  | 708D     | 1100              | 325  | 1355    | 114.5          | 20-3/4                     | 527   | 11    | 279 | 10     | 254 | 12      | 4.0           | Commercial                   |
| 28   | 928MF    | 550               | 100  | 675     | 42.5           | 10-1/4                     | 260   | 6-3/4 | 171 | 9-1/2  | 241 | 12      | 1.0           | Commercial                   |
| 30H  | 930H     | 650               | 150  | 800     | 51             | 13                         | 330   | 6-3/4 | 171 | 9-1/2  | 241 | 12      | 1.5           | Commercial                   |
| 31   | 1231MF   | 1000              | 185  | 1230    | 60             | 13                         | 330   | 6-3/4 | 171 | 9-1/2  | 241 | 12      | 1.5           | Commercial                   |
|  | 1131MF   | 950               | 175  | 1170    | 56.5           |                            |       |       |     |        |     |         |               |                              |
|  | 1031MF   | 760               | 170  | 935     | 53.5           |                            |       |       |     |        |     |         |               |                              |
|  | 931MF    | 650               | 150  | 800     | 52             |                            |       |       |     |        |     |         |               |                              |
| 31P  | 1231PMF  | 1000              | 185  | 1230    | 60             | 13                         | 330   | 6-3/4 | 171 | 9-1/2  | 241 | 12      | 1.5           | Commercial                   |
|  | 1131PMF  | 950               | 175  | 1170    | 56.5           |                            |       |       |     |        |     |         |               |                              |
|  | 1031PMF  | 760               | 170  | 935     | 53.5           |                            |       |       |     |        |     |         |               |                              |
|  | 931PMF   | 650               | 150  | 800     | 52             |                            |       |       |     |        |     |         |               |                              |
| <b>12-VOLT HEAVY-DUTY COMMERCIAL SEVERE SERVICE/DUAL PURPOSE</b>                   |          |                   |      |         |                |                            |       |       |     |        |     |         |               |                              |
| 31   | 7T31     | 730               | 190  | 900     | 62             | 13                         | 330   | 6-3/4 | 171 | 9-1/2  | 241 | 12      | 1.5           | Commercial                   |
| 31P  | 7T31P    | 730               | 190  | 900     | 62             |                            |       |       |     |        |     |         |               |                              |
| 31   | DP31CS   | 700               | 185  | 860     | 58.5           |                            |       |       |     |        |     |         |               |                              |
| <b>12-VOLT HEAVY-DUTY COMMERCIAL — AGM — DEEP CYCLE / STARTING</b>                 |          |                   |      |         |                |                            |       |       |     |        |     |         |               |                              |
| 31   | 8A31     | 800               | 200  | 1000    | 67.5           | 13                         | 330   | 6-3/4 | 171 | 9-1/2  | 241 | 12      | 1.5           | Deep Cycle                   |
| <b>12-VOLT LAWN MOWER — GARDEN TRACTOR — SMALL ENGINE CALCIUM MAINTENANCE-FREE</b> |          |                   |      |         |                |                            |       |       |     |        |     |         |               |                              |
| U1   | 11U1L    | 350               | —    | 430     | 19             | 7-3/4                      | 197   | 5-1/8 | 130 | 7-1/4  | 184 | 12      | 0.5           | Lawn & Garden                |
|  | 10U1L    | 300               | —    | 370     | 17             |                            |       |       |     |        |     |         |               |                              |
|  | 8U1L     | 230               | —    | 285     | 15.5           |                            |       |       |     |        |     |         |               |                              |
| U1R  | 11U1R    | 350               | —    | 430     | 19             | 7-3/4                      | 197   | 5-1/8 | 130 | 7-1/4  | 184 | 12      | 0.5           | Lawn & Garden                |
|  | 10U1R    | 300               | —    | 370     | 17             |                            |       |       |     |        |     |         |               |                              |
|  | 8U1R     | 230               | —    | 285     | 15.5           |                            |       |       |     |        |     |         |               |                              |
| 22F  | 522FMF   | 425               | 65   | 525     | 32             | 9-3/8                      | 238   | 6-3/4 | 171 | 8-1/4  | 210 | 12      | 1.0           | Lawn & Garden                |
| 22NF   | 322NF    | 360               | 58   | 445     | 29             | 9-3/8                      | 238   | 5-1/2 | 140 | 9      | 229 | 12      | 0.5           | Lawn & Garden                |

| GROUP NO.  | PART NO. | CCA       | REF. MCA | 20 HR CAP          | Mins @ 25 A | WEIGHT (lb) |        | LENGTH   |        | WIDTH  |        | HEIGHT |         | Voltage    | Core Value        | Pro Power Series Warranty |                   |
|--|----------|-----------|----------|--------------------|-------------|-------------|--------|----------|--------|--------|--------|--------|---------|------------|-------------------|---------------------------|-------------------|
|  |          |           |          |                    |             | WET         |        | in       | mm     | in     | mm     | in     | mm      |            |                   |                           |                   |
| <b>12-VOLT MARINE / RV STARTING CALCIUM MAINTENANCE-FREE</b>                               |          |           |          |                    |             |             |        |          |        |        |        |        |         |            |                   |                           |                   |
| 24   | 24M-7    | 800       | 1000     | —                  | 130         | 45.5        | 10-3/4 | 273      | 6-3/4  | 171    | 9-3/8  | 238    | 12      | 1.0        | Marine            |                           |                   |
|  | 24M-6    | 650       | 800      | —                  | 115         | 40          | 10-3/4 | 273      | 6-3/4  | 171    | 9-3/8  | 238    | 12      | 1.0        | Marine            |                           |                   |
|  | 24M-5    | 550       | 675      | —                  | 90          | 37          | 10-3/4 | 273      | 6-3/4  | 171    | 9-3/8  | 238    | 12      | 1.0        | Marine            |                           |                   |
|  | 24M-4    | 460       | 565      | —                  | 70          | 36          | 10-3/4 | 273      | 6-3/4  | 171    | 9-3/8  | 238    | 12      | 1.0        | Marine            |                           |                   |
| 27   | 27M-6    | 840       | 1050     | —                  | 182         | 53          | 12-1/2 | 318      | 6-3/4  | 171    | 9-3/8  | 238    | 12      | 1.0        | Marine            |                           |                   |
| <b>12-VOLT MARINE / RV DUAL PURPOSE STARTING / CYCLE SERVICE</b>                           |          |           |          |                    |             |             |        |          |        |        |        |        |         |            |                   |                           |                   |
| 24   | DP24     | 550       | 675      | 65                 | 130         | 44          | 10-3/4 | 273      | 6-3/4  | 171    | 9-3/8  | 238    | 12      | 1.0        | Marine            |                           |                   |
| 27   | DP27     | 650       | 800      | 80                 | 175         | 51          | 12-1/2 | 318      | 6-3/4  | 171    | 9-3/8  | 238    | 12      | 1.0        | Marine            |                           |                   |
| 31   | DP31DT   | 700       | 860      | 100                | 190         | 58.5        | 13     | 330      | 6-3/4  | 171    | 9-1/2  | 241    | 12      | 1.5        | Marine            |                           |                   |
| <b>12-VOLT MARINE / RV DEEP CYCLE SERVICE</b>  |          |           |          |                    |             |             |        |          |        |        |        |        |         |            |                   |                           |                   |
| 24   | DC24     | 500       | 615      | 75                 | 130         | 45.5        | 10-3/4 | 273      | 6-3/4  | 171    | 9-3/8  | 238    | 12      | 1.0        | Marine            |                           |                   |
| 27   | DC27     | 575       | 705      | 90                 | 175         | 53.5        | 12-1/2 | 318      | 6-3/4  | 171    | 9-3/8  | 238    | 12      | 1.0        | Marine            |                           |                   |
| 31   | DC31DT   | 650       | 800      | 105                | 190         | 60          | 13     | 330      | 6-3/4  | 171    | 9-1/2  | 241    | 12      | 1.5        | Marine            |                           |                   |
| <i>Note: "DC" (deep cycle) part numbers include double insulated glass mat separators.</i> |          |           |          |                    |             |             |        |          |        |        |        |        |         |            |                   |                           |                   |
| GROUP NO.  | PART NO. | REF. CCA  | REF. MCA | 8 HR CAP           | 6 HR CAP    | WEIGHT (lb) |        | LENGTH   |        | WIDTH  |        | HEIGHT |         | Voltage    | Core Value        | WARRANTY FREE MO.         |                   |
|  |          |           |          |                    |             | WET         |        | in       | mm     | in     | mm     | in     | mm      |            |                   |                           |                   |
| <b>8-VOLT MARINE AND INDUSTRIAL</b>  |          |           |          |                    |             |             |        |          |        |        |        |        |         |            |                   |                           |                   |
| 983  | 819      | 510       | 625      | 167                | 158         | 119         | 24-1/2 | 622      | 7-1/2  | 191    | 10-1/2 | 267    | 8       | 3.0        | Marine            |                           |                   |
| 984  | 821      | 530       | 650      | 187                | 177         | 135         | 27-1/2 | 699      | 7-1/2  | 191    | 10-1/2 | 267    | 8       | 3.0        | Marine            |                           |                   |
| 985  | 825      | 730       | 900      | 224                | 212         | 160         | 26-7/8 | 683      | 8-1/2  | 216    | 11-3/4 | 298    | 8       | 4.0        | Marine            |                           |                   |
| GROUP NO.  | PART NO. | 20 HR CAP | 6 HR CAP | MINS @ 75 A        | WEIGHT (lb) |             | LENGTH |          | WIDTH  |        | HEIGHT |        | Voltage | Core Value | WARRANTY FREE MO. |                           |                   |
|  |          |           |          |                    | WET         |             | in     | mm       | in     | mm     | in     | mm     |         |            |                   |                           |                   |
| <b>6-VOLT FLOOR SCRUBBER AND SWEEPER</b>   |          |           |          |                    |             |             |        |          |        |        |        |        |         |            |                   |                           |                   |
| 901  | 9C11     | 250       | 210      | 130                | 73          | 11-3/4      | 298    | 7        | 178    | 11-1/2 | 292    | 6      | 1.5     | Deep Cycle |                   |                           |                   |
|  | 8C11     | 235       | 190      | 120                | 67.5        |             |        |          |        |        |        |        |         |            |                   |                           |                   |
| 902  | 8C6V     | 330       | 270      | 170                | 97.5        | 11-3/4      | 298    | 7        | 178    | 14-3/8 | 365    | 6      | 2.0     | Deep Cycle |                   |                           |                   |
| 903  | 8L16     | 370       | 295      | 190                | 111         | 11-3/4      | 298    | 7        | 178    | 16-1/2 | 419    | 6      | 2.5     | Deep Cycle |                   |                           |                   |
| <b>12-VOLT FLOOR SCRUBBER AND SWEEPER</b>  |          |           |          |                    |             |             |        |          |        |        |        |        |         |            |                   |                           |                   |
| 921  | 9C12     | 228       | 180      | 115                | 127         | 15-1/2      | 394    | 7        | 178    | 14-1/4 | 362    | 12     | 3.0     | Deep Cycle |                   |                           |                   |
|  | 8C12     | 195       | 160      | 90                 | 116         |             |        |          |        |        |        |        |         |            |                   |                           |                   |
| GROUP NO.  | PART NO. | 20 HR CAP | 5 HR CAP | MINS. DISCHARGED @ |             |             | WEIGHT | LENGTH   |        | WIDTH  |        | HEIGHT |         | Voltage    | Core Value        | WARRANTY FREE MO.         |                   |
|  |          |           |          | 75 A               | 56 A        | 25 A        |        | WET      | in     | mm     | in     | mm     | in      |            |                   |                           | mm                |
| <b>GOLF CAR — EV — MOTIVE POWER — DEEP CYCLE SERVICE</b>                                   |          |           |          |                    |             |             |        |          |        |        |        |        |         |            |                   |                           |                   |
| GC2  | GC25     | 235       | 188      | 132                | —           | 488         | 68     | 10-1/4   | 260    | 7-1/8  | 181    | 10-7/8 | 276     | 6          | 1.5               | Deep Cycle                |                   |
|  | GC15     | 230       | 174      | 120                | —           | 448         | 64     |          |        |        |        |        |         |            |                   |                           |                   |
|  | GC10     | 215       | 157      | 105                | —           | 395         | 60.5   |          |        |        |        |        |         |            |                   |                           |                   |
| GC2H   | GC45     | 255       | 203      | 145                | —           | 530         | 77     | 10-1/4   | 260    | 7-1/8  | 181    | 11-7/8 | 302     | 6          | 1.5               | Deep Cycle                |                   |
| GC8  | GC8V     | 165       | 130      | 85                 | 121         | 318         | 68     | 10-1/4   | 260    | 7-1/8  | 181    | 11-1/8 | 283     | 8          | 1.5               | Deep Cycle                |                   |
| GC12   | GC12T    | 150       | 120      | 70                 | 102         | 280         | 85     | 13       | 329    | 7-1/8  | 181    | 11     | 280     | 12         | 1.5               | Deep Cycle                |                   |
| GROUP NO.  | PART NO. | CCA       | R.C.     | REF. CA            | WEIGHT (lb) |             | LENGTH |          | WIDTH  |        | HEIGHT |        | Voltage | Core Value | WARRANTY FREE MO. |                           |                   |
|  |          |           |          |                    | WET         |             | in     | mm       | in     | mm     | in     | mm     |         |            |                   |                           |                   |
| <b>12-VOLT GOLF CAR STARTING</b>   |          |           |          |                    |             |             |        |          |        |        |        |        |         |            |                   |                           |                   |
| For gas engine golf cars with T881 terminal:   |          |           |          |                    |             |             |        |          |        |        |        |        |         |            |                   |                           |                   |
| 26   | 426G     | 450       | 55       | 555                | 27.5        | 8-3/4       | 222    | 6-3/4    | 171    | 8      | 203    | 12     | 0.5     | Deep Cycle |                   |                           |                   |
| GROUP NO.  | PART NO. | CCA       | REF. MCA | R.C.               | MINS @ 25 A | 20 HR CAP   | WEIGHT |          | LENGTH |        | WIDTH  |        | HEIGHT  |            | Voltage           | Core Value                | WARRANTY FREE MO. |
|  |          |           |          |                    |             |             | WET    |          | in     | mm     | in     | mm     | in      | mm         |                   |                           |                   |
| <b>AGM VALVE REGULATED</b>   |          |           |          |                    |             |             |        |          |        |        |        |        |         |            |                   |                           |                   |
| U1   | 8AU1     | 200       | 240      | 45                 | 54          | 32          | 23     | 7-3/4    | 197    | 5-1/8  | 130    | 7-1/4  | 184     | 12         | 0.5               | Deep Cycle                |                   |
|  | 8AU1H    | 200       | 240      | 45                 | 54          | 32          | 23     | 8-5/16   | 211    | 5-1/8  | 130    | 7-1/4  | 184     | 12         | 0.5               | Deep Cycle                |                   |
| 22NF   | 8A22NF   | 350       | 420      | 85                 | 95          | 55          | 37     | 9        | 228    | 5-1/2  | 140    | 9-1/4  | 235     | 12         | 1.0               | Deep Cycle                |                   |
| 24M  | 8A24M    | 525       | 800      | 135                | 145         | 79          | 52     | 10-7/8   | 276    | 6-3/4  | 171    | 9-3/8  | 238     | 12         | 1.0               | Deep Cycle                |                   |
| 24   | 8A24     | 525       | 800      | 135                | 145         | 79          | 52     | 10-7/8   | 276    | 6-3/4  | 171    | 9-3/8  | 238     | 12         | 1.0               | Deep Cycle                |                   |
| 27M  | 8A27M    | 580       | 900      | 175                | 185         | 92          | 61.5   | 12-3/4   | 324    | 6-3/4  | 171    | 9-3/8  | 238     | 12         | 1.0               | Deep Cycle                |                   |
| 27   | 8A27     | 580       | 900      | 175                | 185         | 92          | 61.5   | 12-3/4   | 324    | 6-3/4  | 171    | 9-3/8  | 238     | 12         | 1.0               | Deep Cycle                |                   |
| 31M  | 8A31DT   | 800       | 1000     | 200                | 210         | 105         | 67.5   | 12-15/16 | 329    | 6-3/4  | 171    | 9-3/8  | 238     | 12         | 1.5               | Deep Cycle                |                   |
| 4D   | 8A4D     | 1110      | 1420     | 380                | 413         | 198         | 133.5  | 20-3/4   | 527    | 8-1/2  | 216    | 10     | 254     | 12         | 3.0               | Deep Cycle                |                   |
| 8D   | 8A8D     | 1450      | 1800     | 480                | 517         | 245         | 163    | 20-3/4   | 527    | 11     | 279    | 10     | 254     | 12         | 4.0               | Deep Cycle                |                   |
| GC2  | 8AGC2    | 680       | 900      | 380                | 409         | 190         | 68     | 10-1/4   | 260    | 7-1/8  | 181    | 10-7/8 | 276     | 6          | 1.5               | Deep Cycle                |                   |
| —  | PS-62000 | —         | —        | 210                | —           | —           | 63.9   | 12       | 306    | 6 2/3  | 169    | 9      | 228     | 6          | 1.0               | Deep Cycle                |                   |
| <b>GEL VALVE REGULATED</b>   |          |           |          |                    |             |             |        |          |        |        |        |        |         |            |                   |                           |                   |
| U1   | 8GU1     | 200       | 290      | 44                 | 47          | 31.6        | 23.5   | 7-3/4    | 197    | 5-1/8  | 130    | 7-1/4  | 184     | 12         | 0.5               | Deep Cycle                |                   |
|  | 8GU1H    | 200       | 290      | 44                 | 47          | 31.6        | 23.5   | 8-5/16   | 211    | 5-1/8  | 130    | 7-1/4  | 184     | 12         | 0.5               | Deep Cycle                |                   |
| 22NF   | 8G22NF   | 210       | 300      | 77                 | 82          | 51          | 37.5   | 9        | 228    | 5-1/2  | 140    | 9-1/4  | 235     | 12         | 1.0               | Deep Cycle                |                   |
| 24M  | 8G24M    | 410       | 575      | 132                | 140         | 73.6        | 51.5   | 10-7/8   | 276    | 6-3/4  | 171    | 9-3/8  | 238     | 12         | 1.0               | Deep Cycle                |                   |
| 24   | 8G24NH   | 335       | 470      | 132                | 140         | 73.6        | 51.5   | 10-1/4   | 260    | 6-3/4  | 171    | 9-3/8  | 238     | 12         | 1.0               | Deep Cycle                |                   |
|  | 8G24SS   | 335       | 470      | 132                | 140         | 73.6        | 51.5   | 10-1/4   | 260    | 6-3/4  | 171    | 8-1/4  | 210     | 12         | 1.0               | Deep Cycle                |                   |
| 27M  | 8G27M    | 505       | 700      | 160                | 170         | 88          | 62     | 12-3/4   | 324    | 6-3/4  | 171    | 9-3/8  | 238     | 12         | 1.0               | Deep Cycle                |                   |
| 27   | 8G27     | 400       | 550      | 160                | 170         | 88          | 62     | 12-3/4   | 324    | 6-3/4  | 171    | 9-3/8  | 238     | 12         | 1.0               | Deep Cycle                |                   |
| 30H  | 8G30H    | 450       | 640      | 180                | 190         | 97.6        | 68.5   | 12-15/16 | 329    | 6-3/4  | 171    | 9-3/4  | 248     | 12         | 1.5               | Deep Cycle                |                   |
| 31M  | 8G31DT   | 550       | 780      | 180                | 190         | 97.6        | 68.5   | 12-15/16 | 329    | 6-3/4  | 171    | 9-3/8  | 238     | 12         | 1.5               | Deep Cycle                |                   |
| 31   | 8G31     | 450       | 640      | 180                | 190         | 97.6        | 68.5   | 12-15/16 | 329    | 6-3/4  | 171    | 9-3/8  | 238     | 12         | 1.5               | Deep Cycle                |                   |
| 34R  | 8G34R    | 300       | 420      | 90                 | 96          | 60          | 38.5   | 10-3/16  | 259    | 6-5/8  | 168    | 7      | 178     | 12         | 1.0               | Deep Cycle                |                   |
| —  | 8G40C    | 225       | 325      | 59                 | 63          | 40          | 31.5   | 7-3/4    | 197    | 6-5/8  | 168    | 6-7/8  | 175     | 12         | 1.0               | Deep Cycle                |                   |
| 4D   | 8G4D     | 970       | 1245     | 375                | 395         | 183         | 127.5  | 20-3/4   | 527    | 8-1/2  | 216    | 10     | 254     | 12         | 3.0               | Deep Cycle                |                   |
| 5 SHP  | 8G5SHP   | 450       | —        | 200                | —           | 115         | 84.5   | 13 4/7   | 345    | 6 5/8  | 168    | 11     | 279     | 12         | 1.5               | Deep Cycle                |                   |
| 8D   | 8G8D     | 1150      | 1470     | 475                | 500         | 225         | 157    | 20-3/4   | 527    | 11     | 279    | 10     | 254     | 12         | 4.0               | Deep Cycle                |                   |
| GC2  | 8GGC2    | 585       | 850      | 345                | 375         | 180         | 69     | 10-1/4   | 260    | 7-1/8  | 181    | 10-7/8 | 276     | 6          | 1.5               | Deep Cycle                |                   |
| GC8  | 8G8VGC   | 400       | 575      | 250                | 270         | 140         | 70     | 10-1/4   | 260    | 7-1/8  | 181    | 10-7/8 | 276     | 8          | 1.5               | Deep Cycle                |                   |

| GROUP NO.                               | PART NO. | PERFORMANCE LEVEL |                | WEIGHT |     | LENGTH |       | WIDTH  |     | HEIGHT |     | Voltage | Core Value | Pro Power Series Warranty |
|---|----------|-------------------|----------------|--------|-----|--------|-------|--------|-----|--------|-----|---------|------------|---------------------------|
|   |          | CCA               | 10 HR CAPACITY | lb     | kg  | in     | mm    | in     | mm  | in     | mm  |         |            |                           |
| <b>POWER SPORTS AGM VALVE REGULATED</b> |          |                   |                |        |     |        |       |        |     |        |     |         |            |                           |
|   | ETX9     | 120               | 8              | 7.5    | 3.4 | 5-7/8  | 150   | 3-7/16 | 88  | 4-3/16 | 106 | 12      | 0.0        | Power Sports              |
|   | ETX12    | 180               | 10             | 10     | 4.5 | 5-7/8  | 150   | 3-7/16 | 88  | 5-1/8  | 130 | 12      | 0.0        | Power Sports              |
|   | ETX14    | 220               | 12             | 11.5   | 5.2 | 5-7/8  | 150   | 3-7/16 | 88  | 5-3/4  | 145 | 12      | 0.0        | Power Sports              |
|   | ETX14L   | 220               | 12             | 11.5   | 5.2 | 5-7/8  | 150   | 3-7/16 | 88  | 5-3/4  | 145 | 12      | 0.0        | Power Sports              |
|   | ETX15    | 220               | 13             | 11.5   | 5.2 | 5-1/4  | 134   | 3-1/2  | 90  | 6-9/16 | 166 | 12      | 0.0        | Power Sports              |
|   | ETX15L   | 220               | 13             | 11.5   | 5.2 | 5-1/4  | 134   | 3-1/2  | 90  | 6-9/16 | 166 | 12      | 0.0        | Power Sports              |
|   | ETX16    | 325               | 19             | 17     | 7.7 | 6-7/8  | 175   | 4      | 100 | 6-1/8  | 155 | 12      | 0.0        | Power Sports              |
|   | ETX16L   | 325               | 19             | 17     | 7.7 | 6-7/8  | 175   | 4      | 100 | 6-1/8  | 155 | 12      | 0.0        | Power Sports              |
|   | ETX18L   | 340               | 20             | 18     | 8.2 | 8-1/8  | 206   | 3-9/16 | 91  | 6-3/8  | 163 | 12      | 0.0        | Power Sports              |
|   | ETX20L   | 310               | 17.5           | 15     | 6.8 | 7      | 177.8 | 3-1/2  | 90  | 6-1/8  | 155 | 12      | 0.0        | Power Sports              |
|   | ETX30LA  | 400               | 26             | 21.5   | 9.8 | 6-5/8  | 168   | 5-3/16 | 131 | 7-3/4  | 197 | 12      | 0.0        | Power Sports              |



- A. Flush combination terminal w/ 5/16" stud and SAE Post, hex nuts included
- B. Flag terminal w/ 3/8" diameter hole (T876)
- C. 1/4" - 20 Copper Insert Terminal
- F. Double Wide L Terminal w/ two 3/8" holes (T230)
- G. Offset post w/ horizontal hole, stainless
- G. Offset post w/ horizontal hole, stainless steel 5/16" bolt and hex nut (T881)
- J. JIS Terminal "pencil post"
- N. Vertical stainless steel 5/16"- 18 stud (THPT)

- T. Heavy Duty L terminal w/ 3/8" diameter hole (T975)
- U. Molded-in offset SAE post and vertical 5/16" NEG., 5/16" POS. stainless steel studs & hex nuts
- V. Molded-in offset SAE post and vertical 5/16" NEG. 5/16" POS. stainless steel studs
- W. "L" type terminal w/ 5/16" diameter hole (T882)
- X. 3/8" - 16 stainless steel stud posts
- Y. Small L terminal with round hole
- Z. Small L terminal with square hole

- Batteries are maintenance-free calcium grids, except where noted
- Batteries manufactured in polypropylene cases & covers, except where noted
- Batteries manufactured in black cases & covers, except where noted
- SAE & DIN automotive posts used, unless noted (Excludes Power Sports)
- Warranty is suggested months
- Weights are approximates
- CA and MCA ratings @ 32°F are approximations for comparison only
- Ratings except CCA and RC, are "nominal"
- CCA and RC ratings conform to B.C.I. specifications
- CCA on 8 Volt Marine & Industrial types is for reference only